

Wall-mounted Unit WB-MC30 Installation Guide



In order to perform a safe and correct installation, read this manual before beginning the installation process.

Note: When you are using a buzzer unit, mount it before stating installation of the wall mounting bracket.

The buzzer unit cannot be mounted to the printer if a holder plate is mounted on the back of the printer.

Check the supplied accessories and specifications

The following lists all supplied accessories except for this manual. If parts are missing or damaged, please contact the retailer.

Supplied accessories				
Included	Yes	Yes	Yes	No (See Table 1)

[Bracket Specifications]

External dimensions		121.0 mm (width) × 75.0 mm (height) × 19.0 mm (depth)	
Weight		Approx. 0.12 kg	
< The following parts are sold separately >			
Screws or anchor nuts for securing the bracket		Wooden walls	4 screws able to bear at least 12 kgf (118 N) of pulling force or shear force ^{*1)} must be used. Screws with a diameter of 4 mm are recommended.
The required parts may vary depending on the type of wall used in the installation.		Concrete walls	4 anchor nuts able to bear at least 12 kgf (118 N) of pulling force or shear force ^{*1)} must be used.
After confirming the details on the right, select consumer parts capable of handling the weight of the printer.			

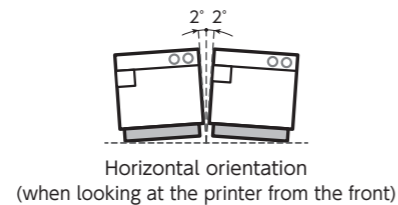
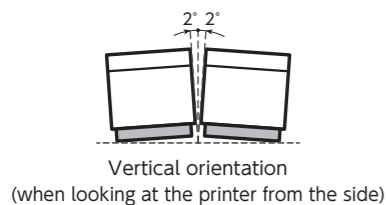
*1) When force is applied to two parallel surfaces, moving them in opposing directions, damage will occur along the path of motion. The maximum value is that which can resist this force without breakage.

Important safety instructions

- To ensure safety, be sure to turn OFF the power and disconnect the printer power plug from the electric outlet before beginning installation.
- Correctly perform the installation by following the directions in this manual.
- Be careful not to pinch your fingers when mounting the printer.
- Check that the wall has sufficient strength for the printer. Note that the required parts for bracket will vary by wall type. Please see Table 2 for details.

Wooden walls	Concrete walls
<p>Do not mount the printer on a single-layer wall when using screws. Ensure the printer is mounted to the beams and that the screws are long enough to pierce through to the beams.</p>	

- Mount the bracket to an area with sufficient width and that is not subject to shocks or water leakage. The mounting wall should be angled with the ground at $90^\circ \pm 2^\circ$.
- The bracket mounting precision should be within $\pm 2^\circ$ relative to both the horizontal and vertical axes.
- When mounting the bracket on a wall, ensure that all screw holes are used to firmly secure it.

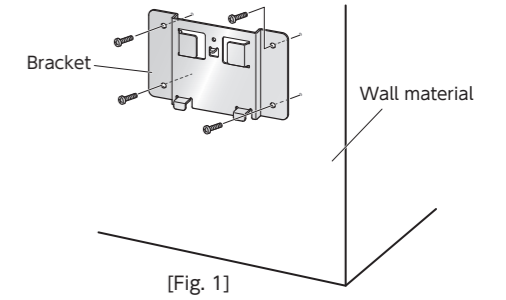


- The combined weight of the printer including the mounting bracket and paper roll is about 1.8 kg. Do not apply extra weight to the bracket.
- We cannot be held liable for damage or injury if the printer falls due to insufficient wall strength, or due to misuse or other improper actions.

Mounting the printer on the wall

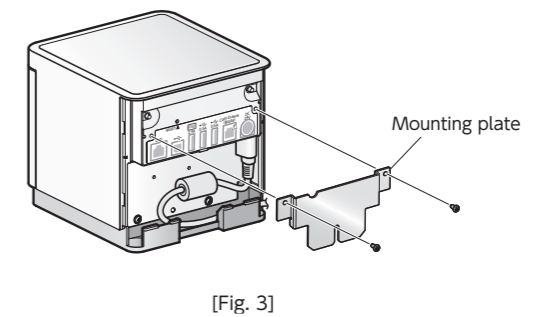
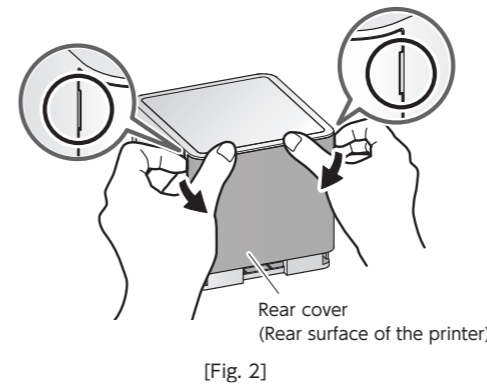
Installing the bracket

- Confirm that the area where the printer will be mounted has a sufficient amount of space.
- Put the bracket up against the wall, and mark the holes. Drill holes for the screws in the locations of the marks. Secure the bracket with the 4 screws of 4 mm diameter that you have prepared in advance. [See Fig. 1]



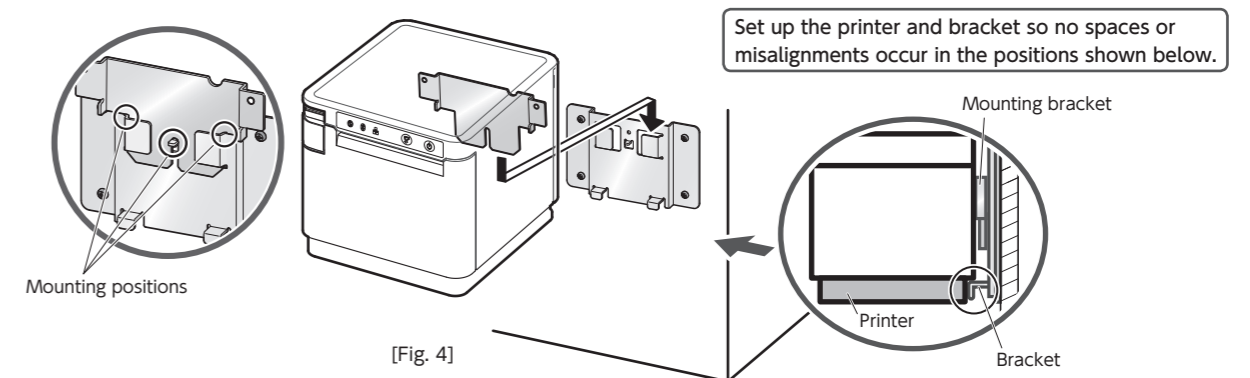
Installing the mounting plate on the printer

- Insert your fingernails into the slits on the left and right of the rear cover, and unhook the cover one side at a time. [See Fig. 2]
- Install the mounting plate onto the printer, and secure it using the 2 included M3 × 6 screws. [See Fig. 3]



Installing the printer onto the bracket

- Mount the printer onto the bracket by sliding it from the top. Ensure that the 3 positions of the bracket and the mounting plate are in alignment and that there are no spaces. [See Fig. 4]



Adding paper to the printer

- Pull the open lever to open the printer cover. [See Fig. 5] Take the slack of the paper roll before paper setting, insert the paper roll as shown in the illustration. [See Fig. 6] Press both sides of the printer cover to close it. [See Fig. 7]

